

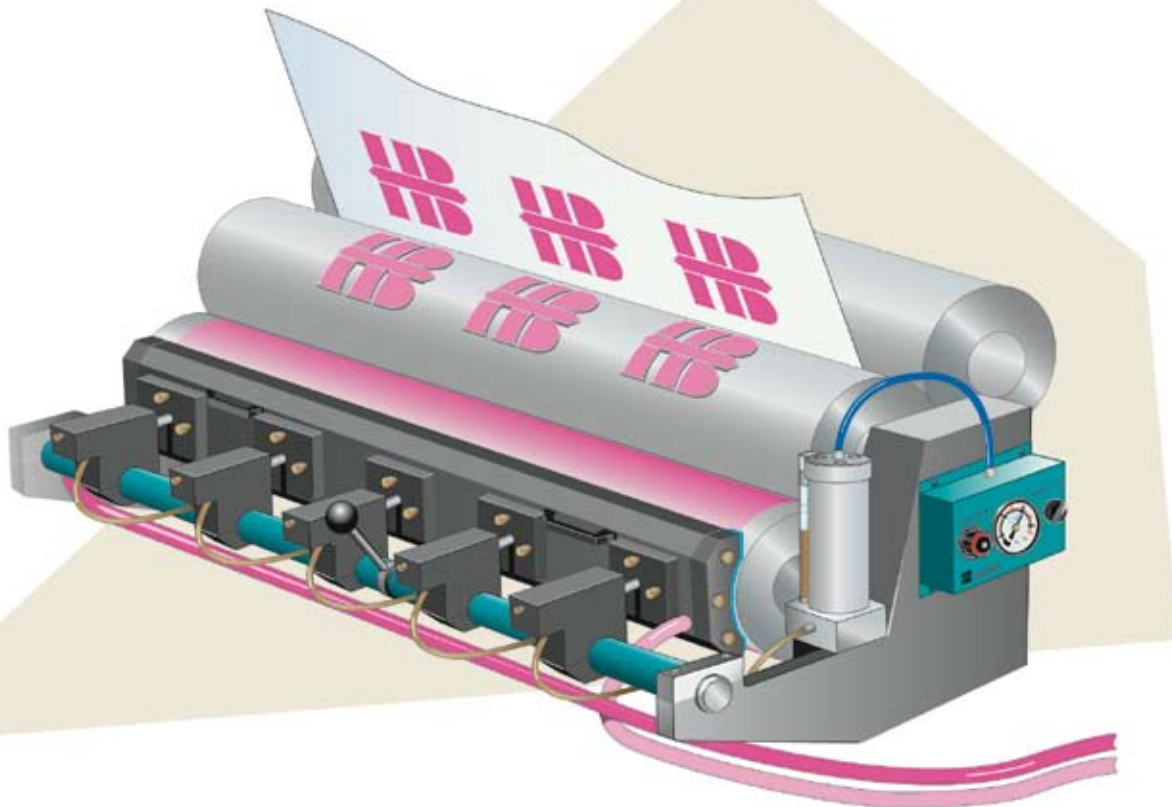
# Chambered Doctor Blade Systems for Flexographic Applications



## A Platform for Success

Harris & Bruno's Chambered Doctor Blade System continues to provide state-of-the-art technology to the ever-changing flexo industry. Armed with a variety of different platforms, the chambered doctor blade system from Harris & Bruno offers the solution for processes demanding higher press speeds, thicker inks & coatings and more frequent color changes. With several levels of automation available, Harris & Bruno has the right system for the right job! For over 55 years, Harris & Bruno has served as a leader in the flexographic industry with systems that

can be found all over the world, crossing over into other industries such as offset and gravure. Our flexographic customers' print films, foils, corrugated boxes, paperboard, folding cartons, envelopes, labels, poly bags, and lottery tickets. Chances are, if it's printed flexo someone is doing it with a Harris & Bruno Chambered Doctor Blade System. Backed by our 100% satisfaction and 3-year product warranty, setting the bar for high quality chambered doctor blade systems is what we do best!



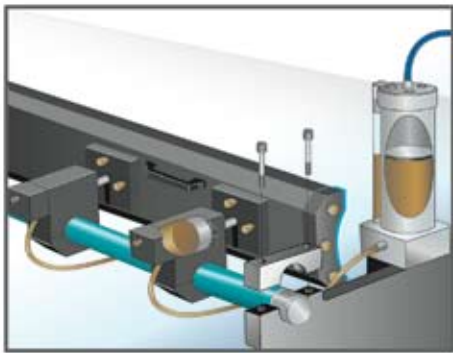
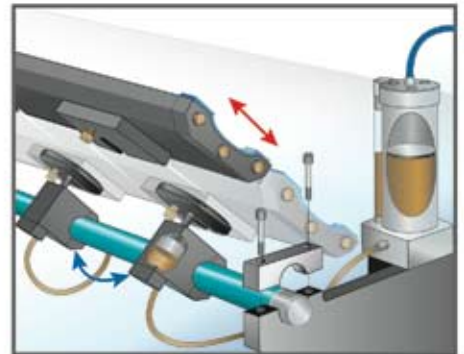
# how it works

## UNDERSTANDING THE TECHNOLOGY

### Value-Added Features & Benefits

#### *Tilt Mechanism*

- Allows for quick blade & seal changes
- A convenient way to manually tilt the system back away from the anilox roll
- On very large or heavy system, an optional air-assisted tilt mechanism is provided



#### *Hydrocomp™ Linear Loading*

- Combines the rigidity of a mechanical system with automatic compensation for blade wear
- Maintains a uniform blade angle
- Increases blade life over mechanically loaded systems
- Industry's most advanced blade loading technology

#### *Custom Mounting Design*

- Easily & quickly remove entire assembly
- Allows for chamber interchangeability

#### *Different Levels of Automation*

Depending on the application, the Harris & Bruno Chambered Doctor Blade System offers different levels of automation. From our “tool-less” blade clamps, to our IDS pumping system or our fully automated RapidWash™ System, we can custom design a system that best suits your needs.

#### *Cavity Design*

Whatever the situation, our cavity designs can accommodate most any application, from the highly viscous inks & coatings to the troublesome issues of cell starvation & ghosting. With over 55 years of experience, a state-of-the-art engineering department, and our commitment to 100% satisfaction, we take responsibility in designing the right cavity for the best possible performance.

### Global Service Around The World!

We have more dedicated service and support personnel worldwide than any other chambered doctor blade supplier and our response times are the best in the industry! Whether it is over the phone, by email or by an old fashioned “house call” we will be there to take care of our customers in the most professional and courteous manner possible.

### Contact Us!

Call us today for more information on the Harris & Bruno Chambered Doctor Blade System.