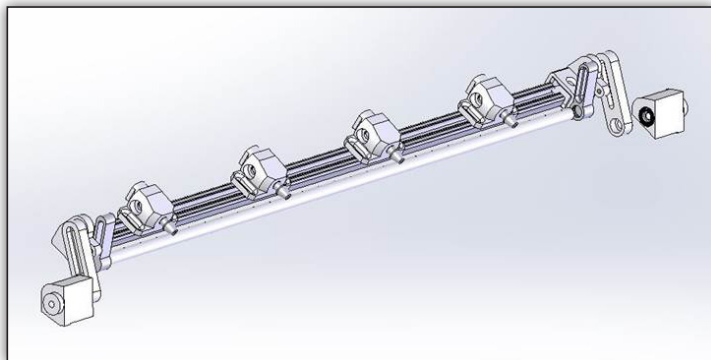


TS 2.0 Thin Substrate System



TS 2.0 Thin Substrate Capabilities

UV: min. 0.003 in/0.075 mm (approx. 70# Text/90 gsm coated)

AQ: min. 0.004 in/0.10 mm (approx. 80# Text/115 gsm coated)

The H&B TS 2.0 is a thin substrate system equipped with an air bar, which allows AQ and UV coating of substrates as thin as 0.003" (0.075 mm). The system uses a series of high velocity air blasts to control thin substrates through the coating head and prevent sheet wraps on the applicator roll. Available as an option on all new machines and as an upgrade to existing machines.

To learn more about the H&B TS 2.0 Thin Substrate System, contact your regional sales representative.